

Jones Associates
www.gotstatic.com

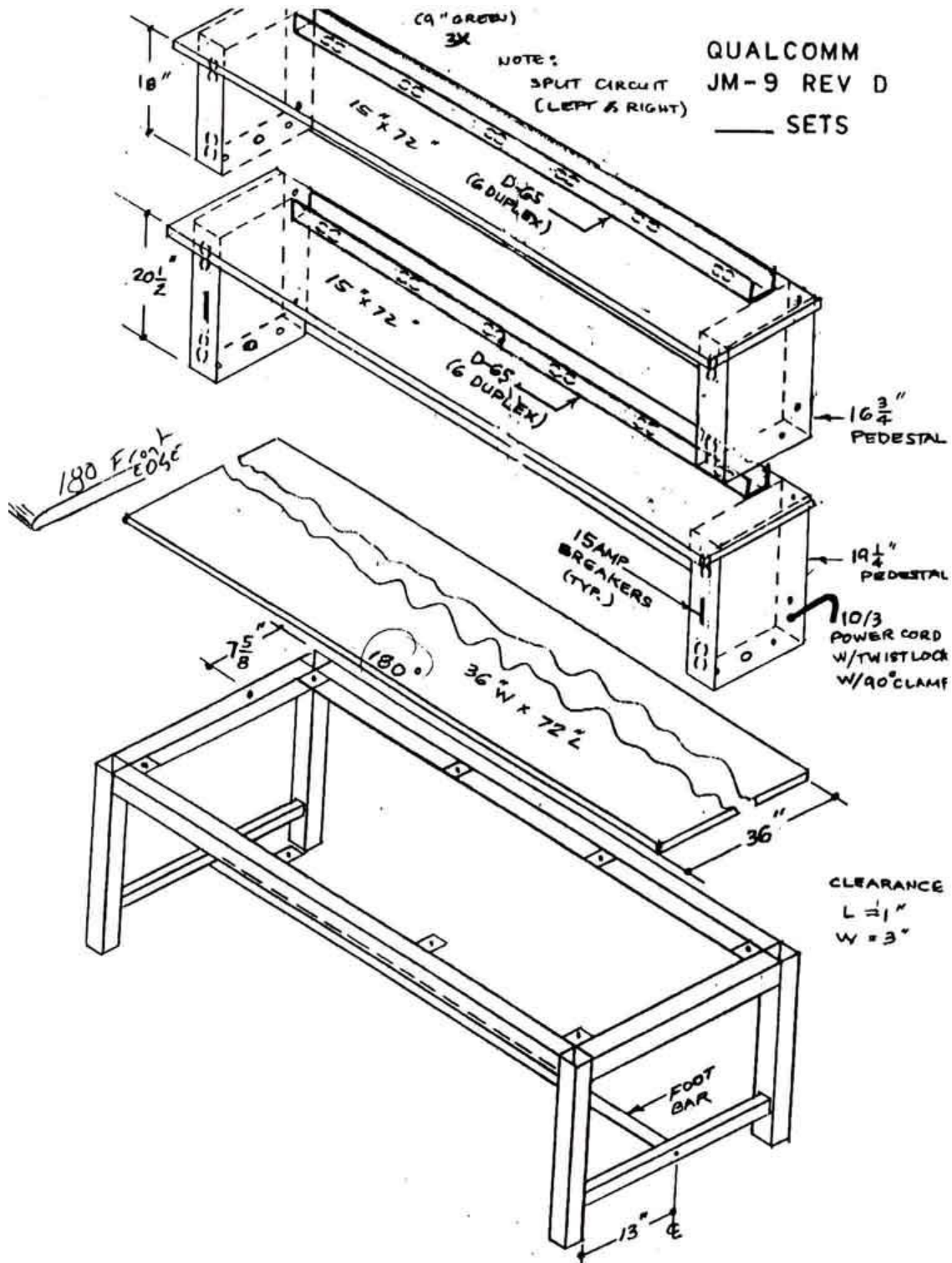
Bench number: JM-9 Rev.E

Item	Description
JM-9 Rev.E	36"W x 72"L x 30"H Double riser includes: 20.5" high from surface to surface 15" deep Rev. E Electrical (10) Duplex outlets on each riser (2) 15amp thermal magnetic breakers 15ft. power cord Rolled front, sides square Footrest centered all welded construction UL Certified in US & Canada Laminate: Standard, Champagne Color: Walnut Brown Fully assembled dimensions 36"w x 72"l x 69"h (total height, including riser) Weight: 295lbs.



8280 Clairemont Mesa Blvd., Suite 122, San Diego, CA 92111
Ph. 858-467-9707 Fax. 858-467-9767
E-MAIL: jon@jones-associates.com
www.jones-associates.com

Jones Associates
www.gotstatic.com



8280 Clairemont Mesa Blvd., Suite 122, San Diego, CA 92111
 Ph. 858-467-9707 Fax. 858-467-9767
 E-MAIL: jon@jones-associates.com
www.jones-associates.com